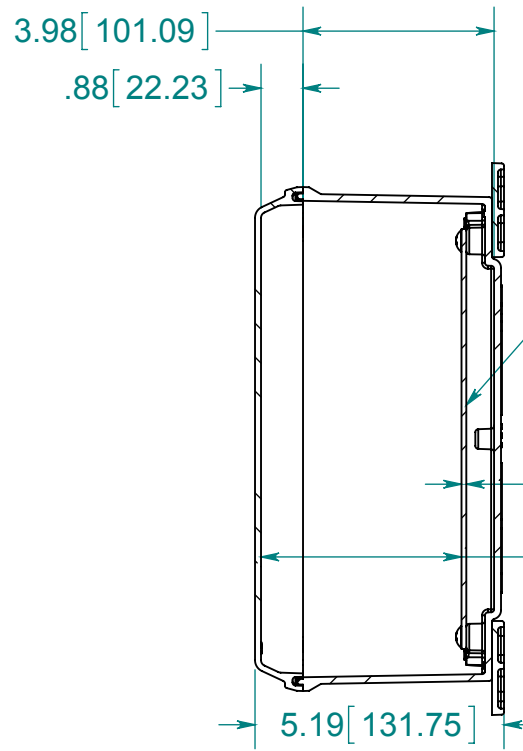
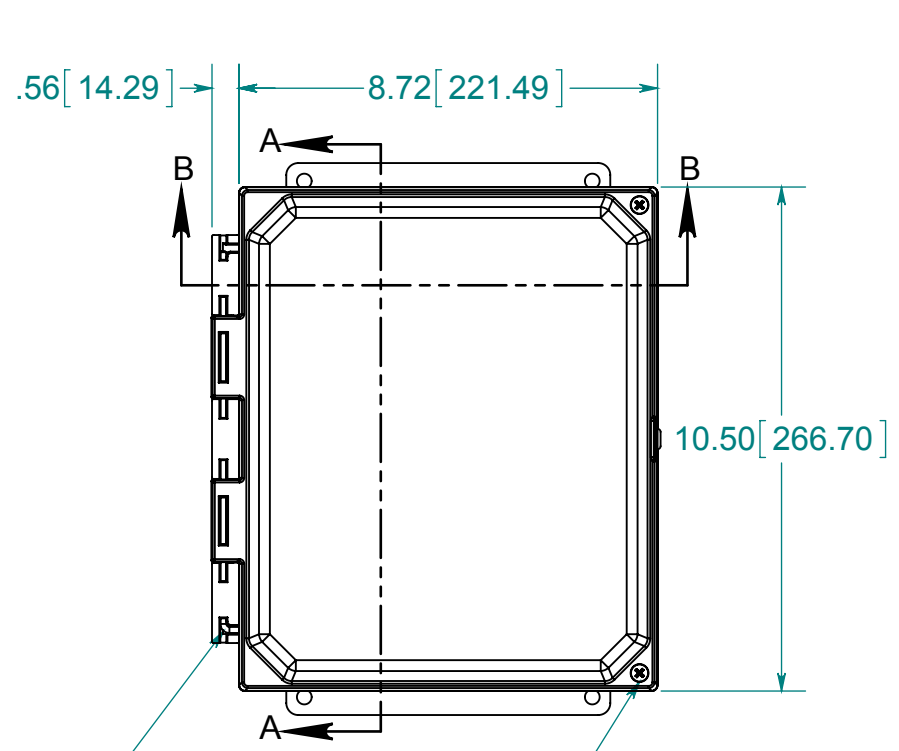
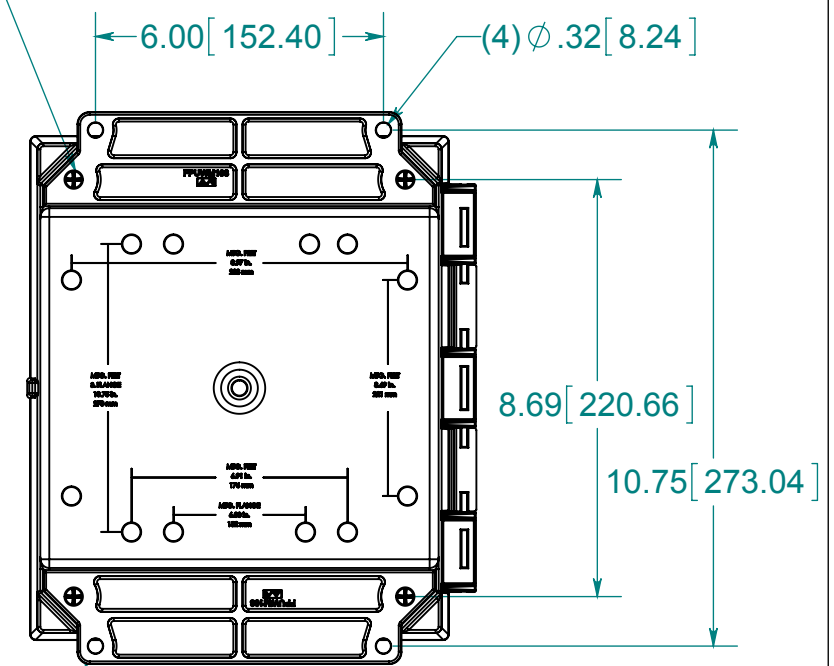


DATE	REV.	DESCRIPTION	DR	CK	REL



OPTIONAL BACK PANEL SHOWN
 0.100 [2.54mm] TH'K- ALUMINUM
 0.075 [1.91mm] TH'K- WHITE STEEL

(4) EACH #10-32 BRASS
 INSERTS, AND STAINLESS
 STEEL FLANGE AND
 FEET SCREWS



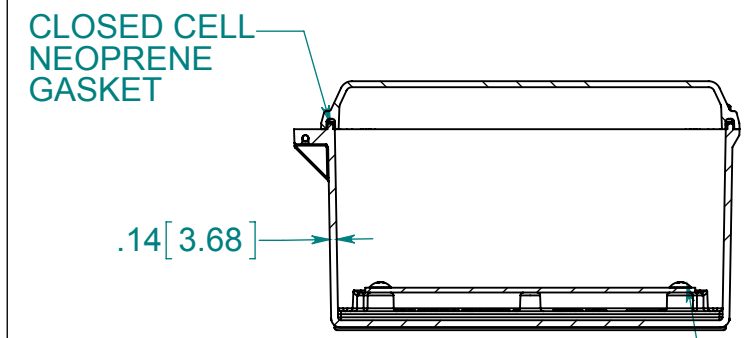
(4) POLYCARBONATE
 FLANGES (GLUED)

STAINLESS STEEL
 HINGE PIN

(2) EACH #10-32 BRASS
 INSERTS AND STAINLESS STEEL
 CAPTIVE COVER SCREWS

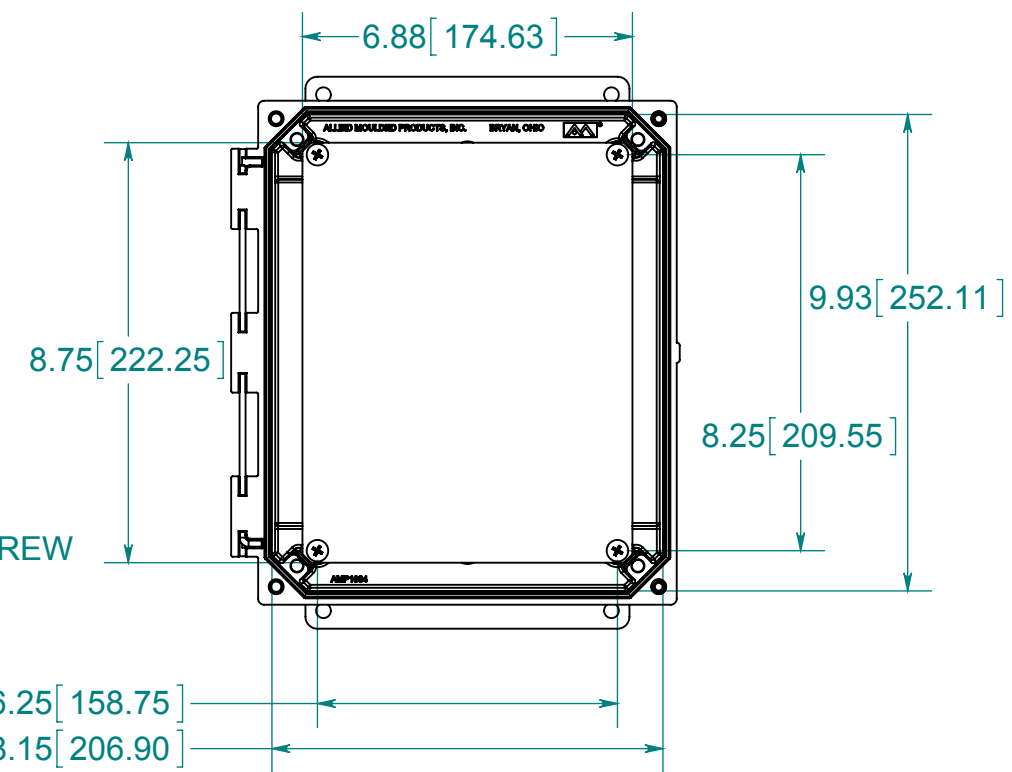
SECTION A-A

FRONT VIEW
 WITH COVER REMOVED
 AND BACK PANEL DISPLAYED

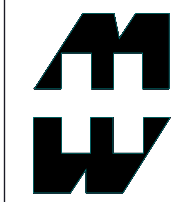


SECTION B-B

(4) EACH #10-32 BRASS
 INSERTS AND PLATED
 CARBON STEEL TRUSS SCREW



MATERIAL:
 BOX- INJECTED POLYCARBONATE
 STANDARD COVER- INJECTED POLYCARBONATE
 CLEAR COVER - INJECTED POLYCARBONATE



PART No. PCJ1084HF
 for more information visit
www.hammfg.com
 Data subject to change without notice
 Drawing Not to Scale